



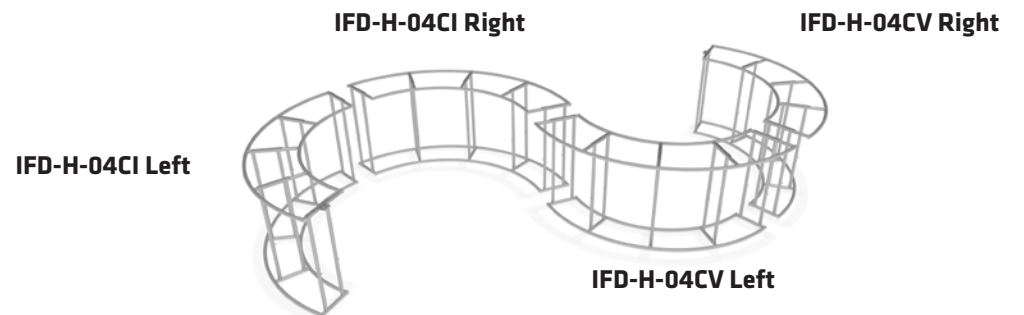
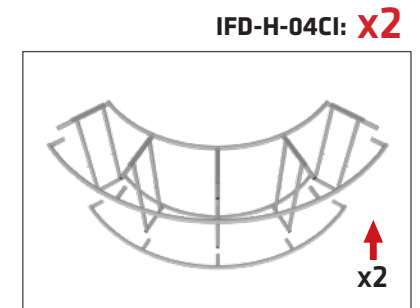
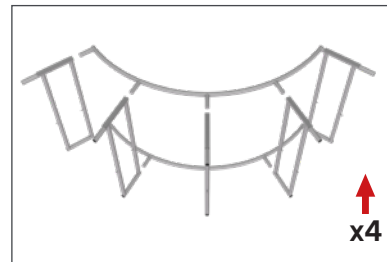
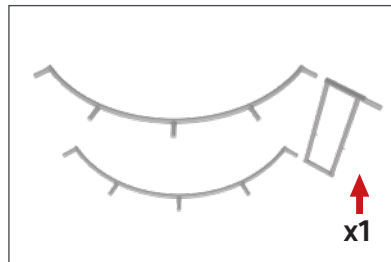
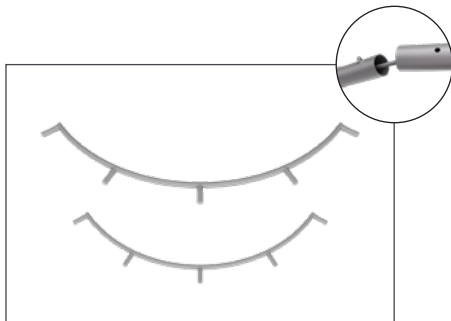
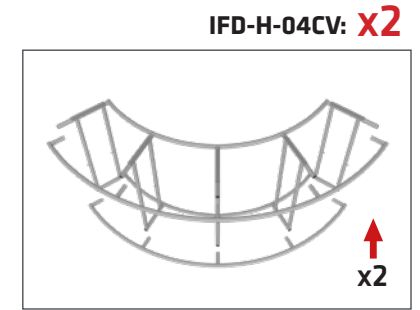
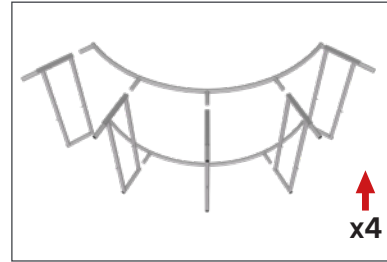
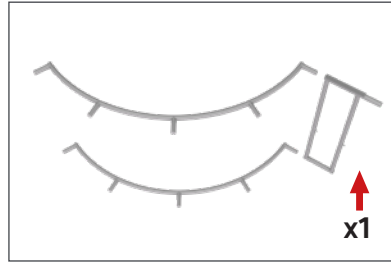
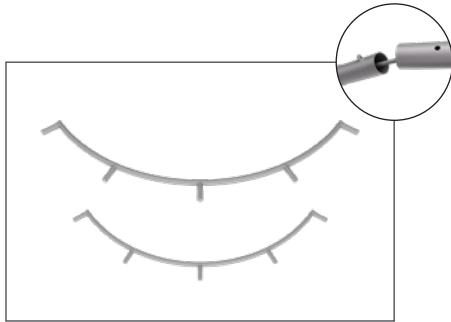
# Set Up Instructions

## FRAME ASSEMBLY:

Assemble base parts and poles by pressing and pushing together.

## \*NOT ALL PARTS WILL BE USED:

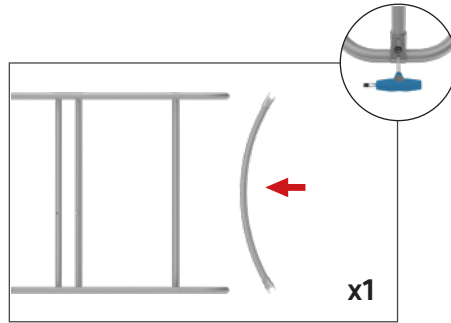
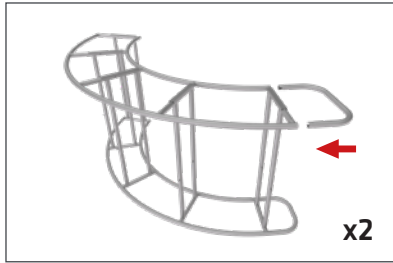
This counter is made from x3 full kits and not all parts will be needed to complete this design.



# Set Up Instructions

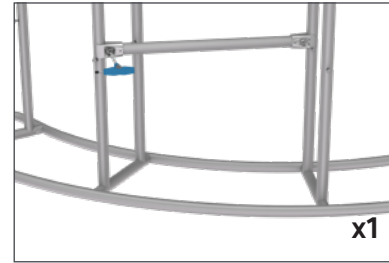
## IFD-H-04CV Right:

Assemble end cap on right side only. Use hand tool when shown.



## CROSSBAR SUPPORT:

Attach across second opening from the right.



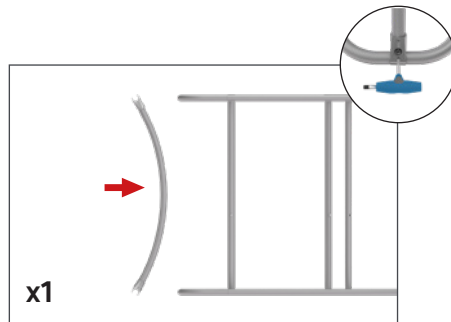
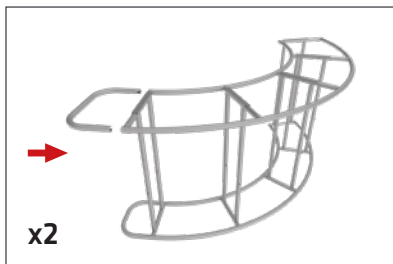
## COUNTER TOP SUPPORT:

For leveling end cap counter top.



## IFD-H-04CV Left:

Assemble end cap on left side only. Use hand tool when shown.



## CROSSBAR SUPPORT:

Attach across second opening from the left.



## COUNTER TOP SUPPORT:

For leveling end cap counter top.



## IFD-H-04CI Right & 04CV Left:

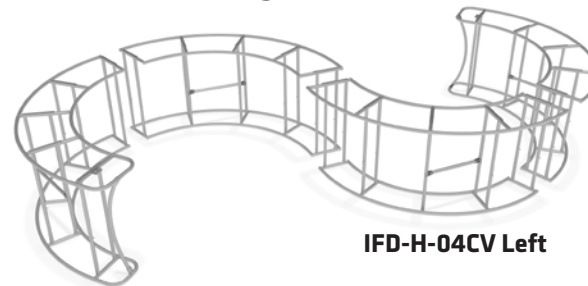
Do not assemble end caps for these 2 center counters.

Assemble crossbar support for these 2 center counters.

IFD-H-04CI Right

IFD-H-04CV Right

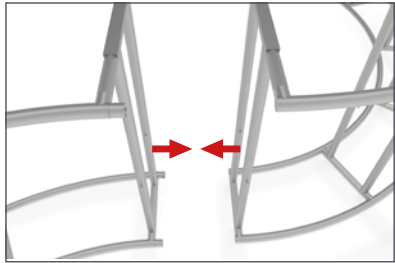
IFD-H-04CI Left



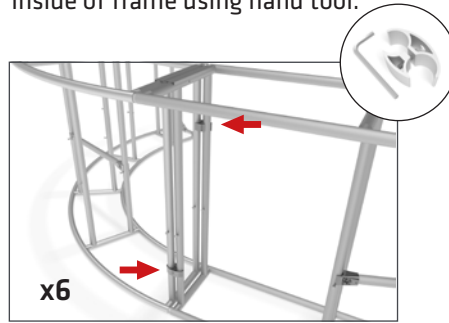
IFD-H-04CV Left

# Set Up Instructions

**CONNECT FRAMES TOGETHER:**  
Connect x3 frames together with x2 butterfly clips (WLM-P-SCS) per

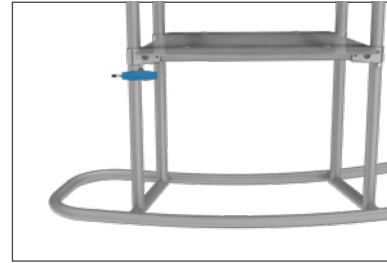


frame connection. Attach one clip to outside of frames and one clip to inside of frame using hand tool.

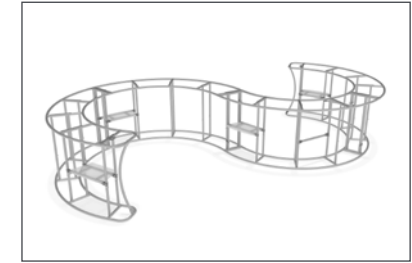


**WLM-P-SCS**

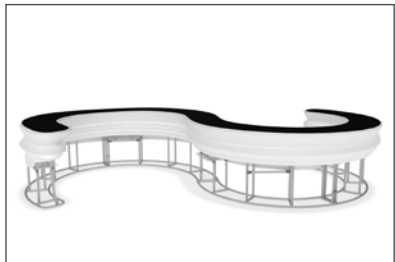
**SHELVES:**  
(OPTIONAL) To add shelves to frame, position and level shelf on



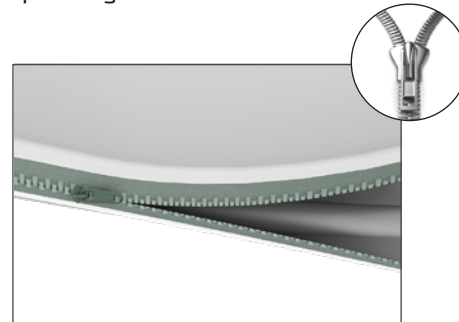
frame before tightening clamps down with hex tool.



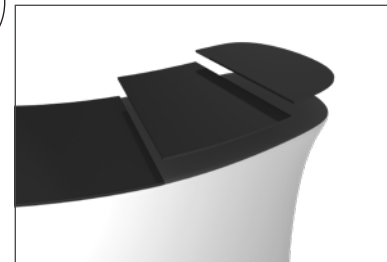
**GRAPHIC INSTALL:**  
**Step 1:** Unzip print and slide print onto frame like a pillow case.



**Step 2:** Grip the fabric tightly and stretch around bottom of desk to pinch zipper into place. Zip the print together for taut finish.



**Step 3:** Attach countertop panels to fabric counter with Velcro. Start at one end and work your way across to the other side.



**Step 4:** Join counter top panels together front and back with black push-on clamps.

